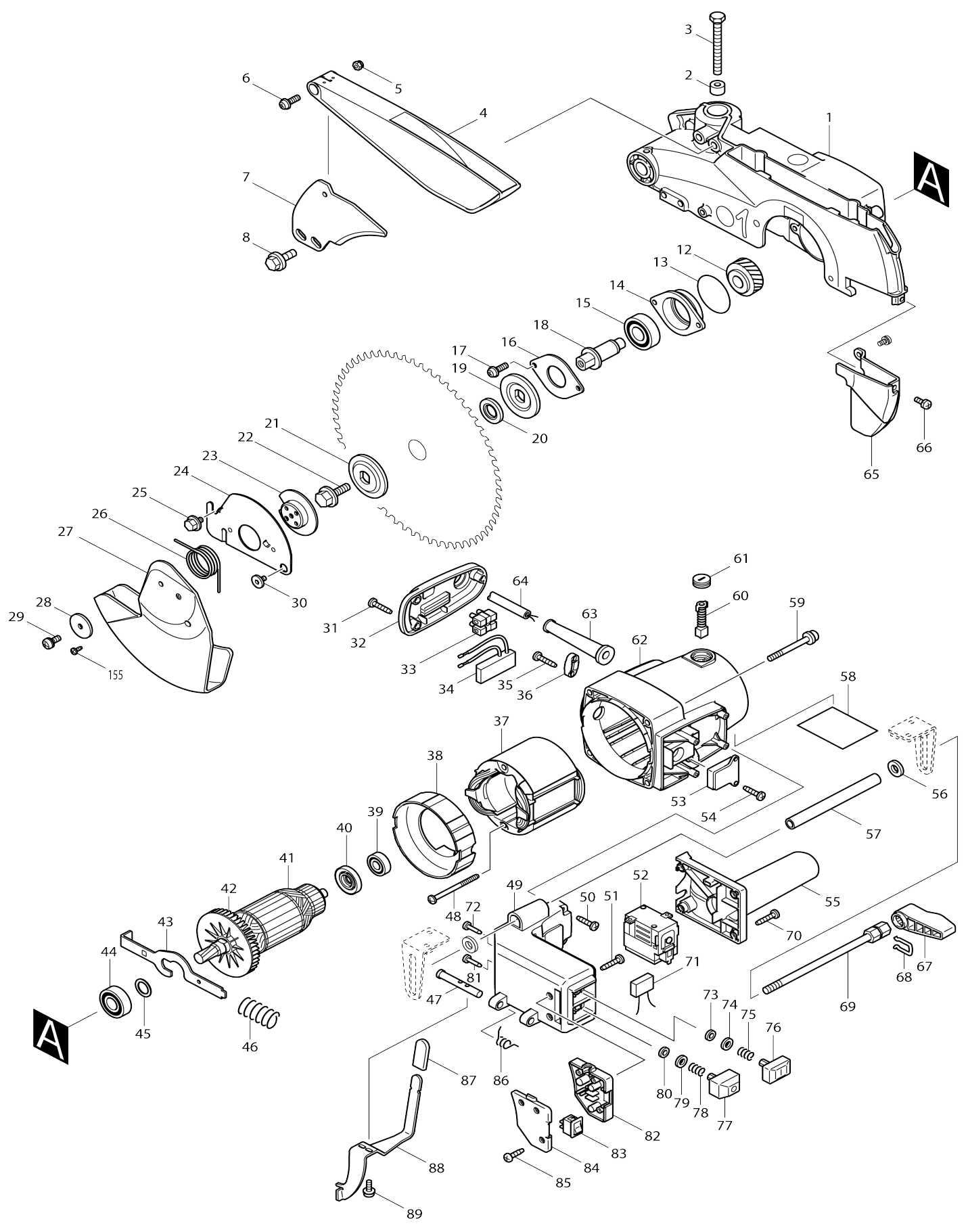
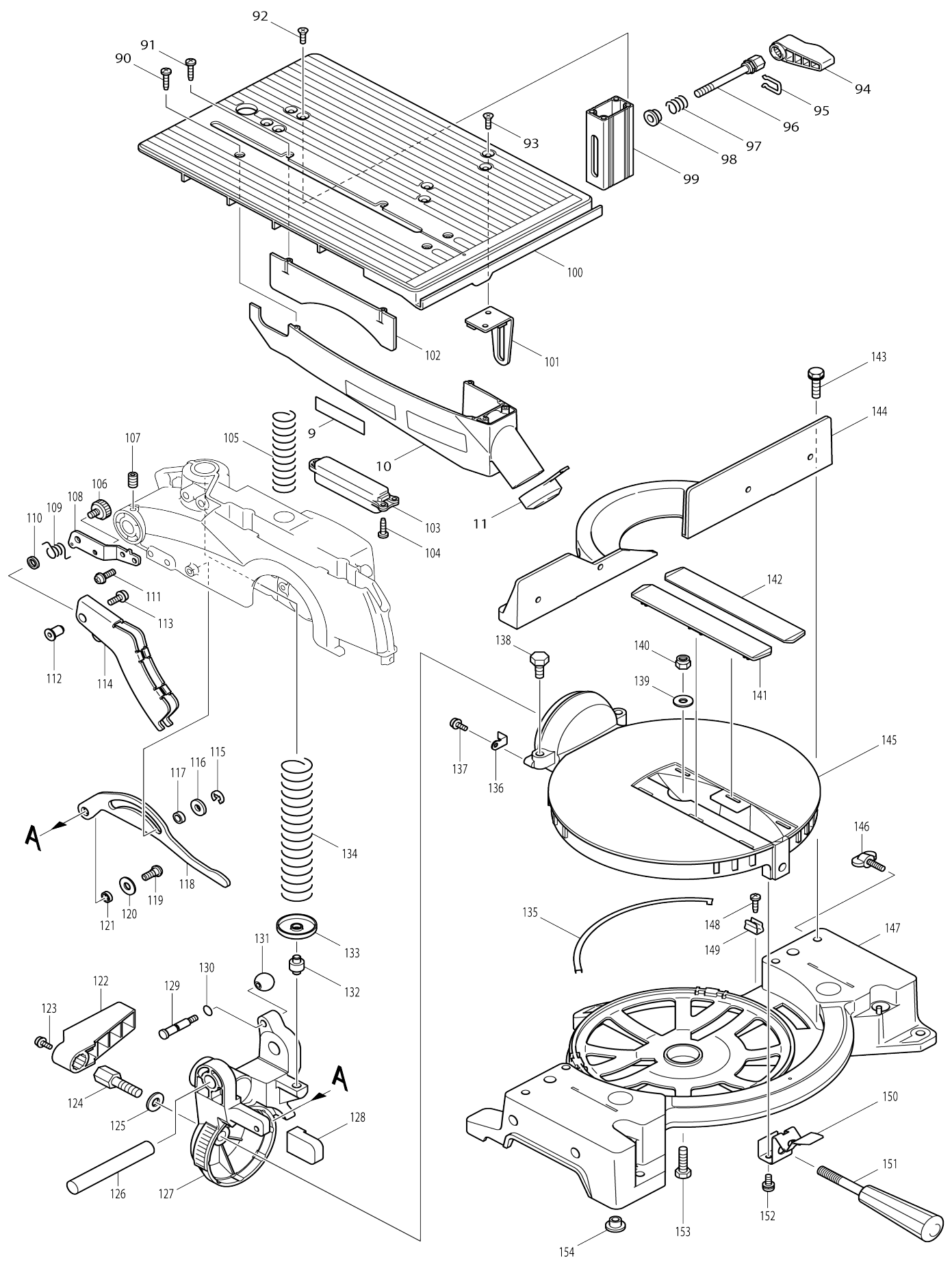


Model No.LH1040F Table Top Miter Saw



Model No.LH1040F Table Top Miter Saw



Model No.LH1040F Table Top Miter Saw

Item No.	Parts No.	Description	Interchangeability	Q'ty	New/Old	Note1	Note2
001	153993-1	Blade case complete		1	*		
C10	263005-3	Rubber pin 6		1	*		
C20	810968-0	Caution label		1	*		
C30	817667-5	Caution label		1	*		
001-1	141142-2	Blade case complete	O	1	*		
C10	263005-3	Rubber pin 6		1	*		
C20	810968-0	Caution label		1	*		
C30	817667-5	Caution label		1	*		
001-2	141629-4	Blade case complete	<	1	*		
C10	263005-3	Rubber pin 6		1	*		
C20	810968-0	Caution label		1	*		
C30	817667-5	Caution label		1	*		
001-3	142818-4	Blade case complete	<	1			
C10	263005-3	Rubber pin 6		1			
C20	810968-0	Caution label		1			
C30	817667-5	Caution label		1			
002	262511-5	Rubber sleeve 6		1			
003	251667-9	Hex. head bolt M8X75		1			
004	154521-5	Cover complete		1	*		
C10	817283-3	Caution label		1	*		
004-1	141144-8	Cover complete	O	1			
C10	817283-3	Caution label		1			
C20	890408-4	Caution label		1			
005	252103-8	Hex. lock nut M5-8		1			
006	911223-4	Pan head screw M5X16 WR		1			
007	345423-8	Riving knife		1	*		
007-1	345423-8	Riving knife	<	1			
008	251644-1	Hex. head flange bolt M8X20		2			
009	819064-1	Makita logo label		1			
010	183881-8	Under guard L set		1	*		
C10	810063-6	Caution label		1	*		
010		INC. 9			*		
010-1	187136-3	Under guard L set	O	1			
C10	810063-6	Caution label		1			
010-1		INC. 9					
011	421362-7	Cap		1			
012	226465-0	Helical gear 42		1			
013	213621-1	O-ring 46		1			
014	316821-3	Bearing box		1			
015	211256-2	Ball bearing 6203LLB		1			
016	285685-5	Bearing retainer 64		1			
017	911223-4	Pan head screw M5X16 WR		2			
018	322865-3	Spindle		1			
019	224333-1	Flange 53		1			
020	257262-3	Ring 16		1			
021	224333-1	Flange 53		1			
022	265355-2	Hex. head flange bolt M8X20		1			

023	343639-9	Center plate		1			
024	344380-7	Center cover		1	*		
024-1	346516-4	Center cover	O	1			
025	265324-3	Hex. head flange bolt M8X12		1			
026	231593-8	Torsion spring 36		1			
027	418625-0	Safety cover		1	*		
027-1	453026-5	Safety cover	O	1			
028	267136-0	Flat washer 5		1			
029	911213-7	Pan head screw M5X12 WR		1	*		
029-1	922211-6	Hex. socket head bolt M5X12 W	<	1			
030	265985-9	Hex. socket shoulder head bolt M6X9		1			
031	265995-6	Binding head tapping screw 4X1 8		3			
032	418620-0	Housing cover		1			
033	654561-8	Terminal block		1			
034	631613-2	Soft start circuit		1			
035	265995-6	Binding head tapping screw 4X1 8		2			
036	687052-4	Strain relief		1	*		
036-1	687124-5	Strain relief	O	1			
037	599519-9	Field assembly 220-240V		1			
C10	654020-2	Ring terminal 36L		2			
C20	654502-4	Non-insulated splice		2			
038	418621-8	Baffle plate		1			
039	211061-7	Ball bearing 6000LLB		1	*		
039-1	211097-6	Ball bearing 6000LLB	O	1			
040	681640-9	Insulation washer		1	*		
040-1	681640-9	Insulation washer	O	1			
041	516718-8	Armature assembly 220V		1	*		
041		INC. 39,40,42,44,45			*		
041-1	516718-8	Armature assembly 220V	O	1			
041-1		INC. 39,40,42,44,45					
042	241909-9	Fan 80		1			
043	343641-2	Shaft lock		1			
044	211206-7	Ball bearing 6202LLB		1			
045	267280-3	Flat washer 15		1			
046	231297-2	Compression spring 9		1			
047	324496-4	Lock pin 8		1			
048	266029-8	Binding head tapping screw 5X6 5		2			
049	418630-7	Switch box		1			
050	265995-6	Binding head tapping screw 4X1 8		4			
051	265995-6	Binding head tapping screw 4X1 8		2			
052	652772-9	Relay 305.232.01		1	*		
052-1	652772-9	Relay 305.232.01	O	1	*		
052-2	652772-9	Relay 305.232.01	O	1	*		
052-3	652772-9	Relay 305.232.01	O	1			
053	153996-5	Clamp plate complete		1			
054	266020-6	Binding head tapping screw 4X1 2		2			
055	153995-7	Handle complete		1			

056	941201-0	Flat washer 8		2			
057	331683-8	Pipe 9-126		1			
058	860810-5	Name plate LH1040F		1	*		
058-1	864416-1	Name plate LH1040F	O	1			
059	911383-2	Pan head screw M6X60 WR		4			
060	181044-0	Carbon brush CB-153		1	*		
060-1	194985-1	Carbon brush set CB-153	O	1			
061	643650-4	Holder cap 6.5-13.5		2	*		
061-1	643650-4	Holder cap 6.5-13.5	O	2			
062	153994-9	Motor housing complete		1	*		
C10	643660-1	Brush holder 6.5-13.5		2	*		
062-1	158561-5	Motor housing complete	O	1			
C10	643653-8	Brush holder 6.5X13.5		2	*		
C11	643536-2	Brush holder 6.5X13.5	<	2			
063	682516-3	Cord guard 9.3-85		1	*		
063-1	682504-0	Cord guard 10-85	O	1			
064	665865-3	Power supply cord 1.0-2-2.5		1			
065	165389-4	Blade guard		1	*		
065-1	165659-1	Blade guard	O	1			
066	911206-4	Pan head screw M5X10 W		2			
067	272230-5	Lever 54		1			
068	231955-0	Ring spring 12		1			
069	331682-0	Lock bolt M8X150		1			
070	265995-6	Binding head tapping screw 4X1 8		4			
071	645200-1	Noise suppressor		1			
072	418618-7	Pin		1			
073	443103-1	Felt ring 6		1			
074	253186-1	Flat washer 7		1			
075	231025-5	Compression spring 8		1			
076	418616-1	Switch button on		1			
077	418617-9	Switch button off		1			
078	231025-5	Compression spring 8		1			
079	253186-1	Flat washer 7		1			
080	443103-1	Felt ring 6		1			
081	418618-7	Pin		1			
082	418623-4	Light switch box		1			
083	651522-9	Switch SLE6A		1			
084	418624-2	Light switch box cover		1			
085	265893-4	Pan head tapping screw 3X12		3			
086	231674-8	Torsion spring 9		1			
087	421589-9	Cap		1			
088	345427-0	Lock lever		1			
089	911113-1	Pan head screw M4X10 WR		2			
090	265995-6	Binding head tapping screw 4X1 8		3			
091	265995-6	Binding head tapping screw 4X1 8		2			
092	912222-9	Countersunk head screw M5X16		4			
093	912222-9	Countersunk head screw M5X16		4			
094	272230-5	Lever 54		1			
095	231955-0	Ring spring 12		1			

096	331681-2	Lock bolt M8X70		1		
097	233042-1	Compression spring 14		1		
098	257675-8	Sleeve 8		1		
099	317779-9	Table support		1		
100	153992-3	Table complete		1	*	
C10	816818-7	Scale plate		1	*	
100-1	141630-9	Table complete	<	1		
C10	816818-7	Scale plate		1		
101	165388-6	Support plate		2		
102	418619-5	Under guard R		1	*	
102-1	453029-9	Under guard R	O	1		
103	631611-6	Light circuit		1		
104	266034-5	Binding head tapping screw 4X16		4		
105	233415-8	Compression spring 21		1		
106	251812-6	Thumb screw M5X10		1		
107	251961-9	Hex. socket set screw (flat point) M6X10		1		
108	345425-4	Guard holder		1		
109	231675-6	Torsion spring 11		1		
110	267070-4	Flat washer 10		1		
111	911223-4	Pan head screw M5X16 WR		2		
112	324497-2	Guard shaft		1		
113	911223-4	Pan head screw M5X16 WR		1		
114	345426-2	Guard		1		
115	961018-5	Stop ring (EXT) E-5		1		
116	253804-1	Flat washer 6		1		
117	257163-5	Ring 6		1		
118	344377-6	Link plate		1		
119	265984-1	Hex. socket button head bolt M6 X14		1		
120	253823-7	Flat washer 7		1		
121	257162-7	Ring 7		1		
122	416006-2	Lever 100		1		
123	911113-1	Pan head screw M4X10 WR		1		
124	265437-0	Hex. head bolt M10		1		
125	253024-7	Flat washer 10		1		
126	256836-7	Rod 16		1		
127	154463-3	Arm complete		1	*	
127-1	141139-1	Arm complete	O	1		
128	421867-7	Cap		1		
129	324183-5	Stopper pin		1		
130	213021-5	O-ring 5		1		
131	271601-3	Knob 20		1		
132	256280-8	Pin 8		1		
133	344464-1	Spring holder		1		
134	233414-0	Compression spring 27		1		
135	343799-7	Slide plate		3		
136	344385-7	Pointer		1		
137	911113-1	Pan head screw M4X10 WR		1		
138	265455-8	Hex. head bolt M8X28		2		
139	253762-1	Flat washer 8		1		

140	252105-4	Hex. lock nut M8-13		1			
141	418615-3	Kerf board		1	*		
141-1	453028-1	Kerf board	O	1			
142	418615-3	Kerf board		1	*		
142-1	453028-1	Kerf board	O	1			
143	265488-3	Hex. head bolt M8X30		4			
144	317782-0	Guide fence		1	*		
144-1	318798-8	Guide fence	O	1	*		
144-2	318895-0	Guide fence	<	1	*		
144-3	319200-4	Guide fence	<	1			
145	316824-7	Turn base		1	*		
145-1	318800-7	Turn base	O	1			
146	265708-5	Thumb screw M6X20		1	*		
146-1	265708-5	Thumb screw M6X20	O	2	*		
146-2	911333-7	Pan head screw M6X20 WR	<	2			
147	153998-1	Base complete		1	*		
C10	816311-1	Miter scale plate		1	*		
C20	810965-6	Caution label		1	*		
C30	817283-3	Caution label		2	*		
147-1	141140-6	Base complete	O	1			
C10	816311-1	Miter scale plate		1			
C20	810965-6	Caution label		1			
C30	817283-3	Caution label		2			
148	266034-5	Binding head tapping screw 4X16		1			
149	232075-3	Leaf spring		1			
150	344381-5	Knock spring		1			
151	273495-2	Grip 32		1			
152	911213-7	Pan head screw M5X12 WR		2			
153	921452-1	Hex. head bolt M8X30		1			
154	286212-1	Cap 20		4			
155	265954-0	Binding head tapping screw 3X8		1			
A01	122472-0	Set plate assembly		1	*		
C10	251887-5	Thumb screw M6X10		1	*		
A01-1	122472-0	Set plate assembly	O	1			
C10	251887-5	Thumb screw M6X10		1			
A02	122523-9	Dust bag assembly		1	*		
C10	410602-8	Fastener		1	*		
A02-1	122852-0	Dust bag assembly	<	1			
C10	410602-8	Fastener		1			
A03	122707-9	Ruler assembly		1			
C10	165392-5	Rule holder		1			
C20	251858-2	Thumb screw M6X15		1			
C30	265730-2	Thumb screw M6X35		1			
C40	345424-6	Guide plate		1			
C50	345440-8	Lock plate		1			
C60	418662-4	Ruler guide		1			
C70	911159-7	Pan head screw M4X30 WG		2			
C80	941151-9	Flat washer 6		1			
C90	317793-5	Ruler		1			
A04	257022-3	Ring 16		1			
A05	762001-3	Triangular rule		1			

A06	122716-8	Sub plate assembly		1		
C10	252148-6	Square nut M8		1		
C20	921431-9	Hex. head bolt M8X20 W		1		
C30	922206-9	Hex. socket head bolt M5X10 W		2		
A07	322312-4	Holder		1	*	
A07-1	322312-4	Holder	O	2	*	
A07-2	123101-8	Holder assembly	<	2		
C10	286212-1	Cap 20		4		
C20	326182-3	Holder		2		
C30	332036-4	Adjuster		4		
A08	416772-1	Push stick		1		
A09	418626-8	Blade cover		1	*	
A09-1	453727-5	Blade cover	<	1		
A10	B-03838	T.C.T.SAW BLADE 260X30X60T		1	*	
A10-1	D-46408	TCT SAW BLADE 260 X 30 X 60T	O	1		
A11	782212-4	Box wrench 13		1		
A12	817926-7	Caution label		1	*	
A13	122536-0	Vise assembly		1		
C10	251370-2	Pan head shoulder screw M5X15.5		1		
C20	251887-5	Thumb screw M6X10		1		
C30	253804-1	Flat washer 6		1		
C40	271286-5	Knob 40		1		
C50	316938-2	Vise arm		1		
C60	322313-2	Vise rod		1		
C70	343651-9	Vise plate		1		
E05	346605-5	Cam plate		1		
E06	266026-4	Binding head tapping screw 4X12		2		
E07	346606-3	Guard plate		1		
E08	265011-4	Binding head shoulder screw M5		1		
E09	253823-7	Flat washer 7		1		
E10	231684-5	Torsion spring 11		1		
E11	251887-5	Thumb screw M6X10		1		
E12	142817-6	Sub fence complete		1		
E13	253715-0	Flat washer 6		1		
E14	265031-8	Countersunk head screw M6X20		1		
E15	344476-4	Sub fence plate		1		
E16	931302-2	Hex. nut M6		1		

Please state Parts No. when your order.

Print Date 02/10/2026