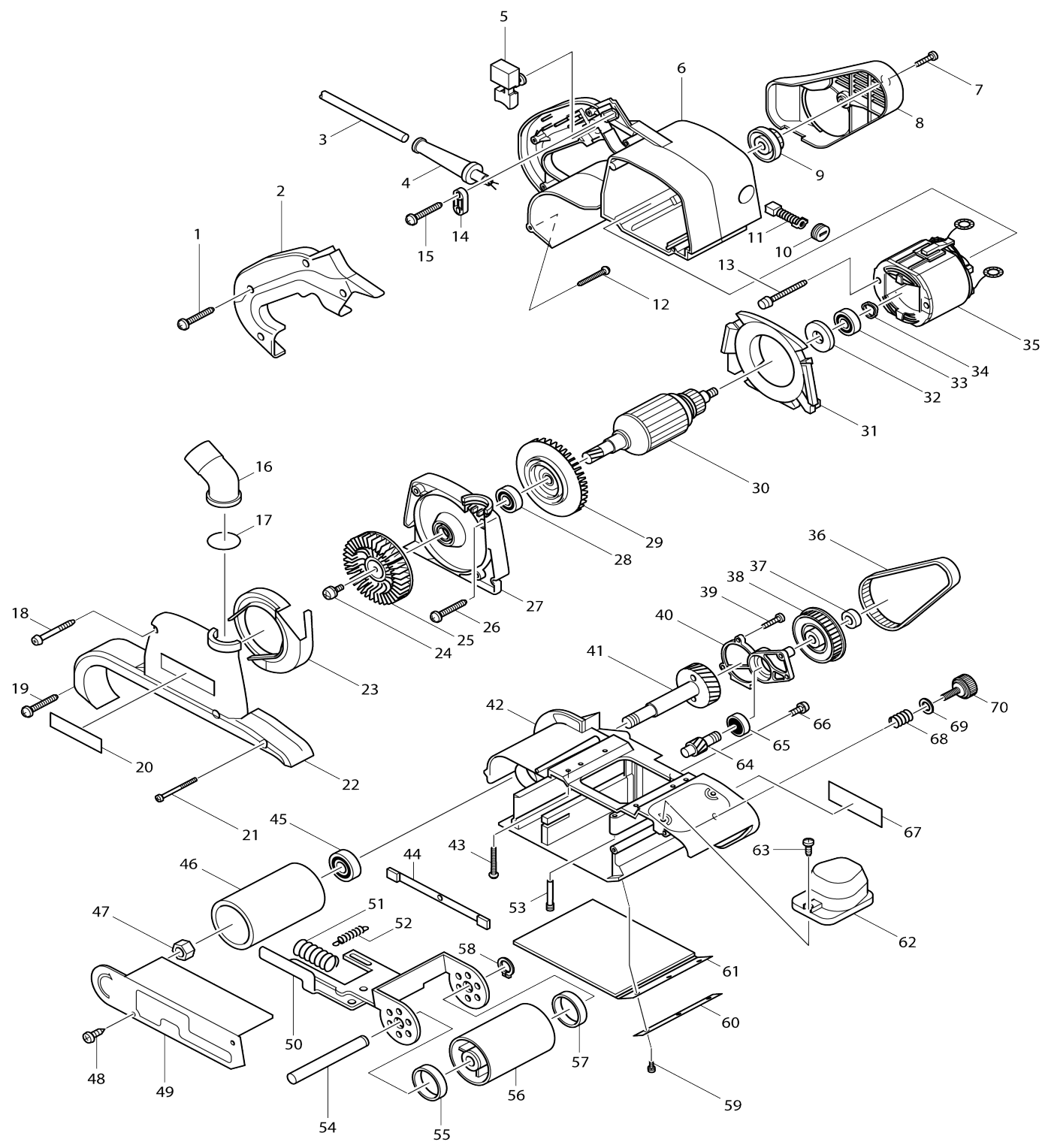


# Model No.9403 BELT SANDER 100MM



Model No.9403 BELT SANDER 100MM

Item No.	Parts No.	Description	Interchangeability	Q'ty	New/Old	Note1	Note2
001	265995-6	Binding head tapping screw 4X18		4			
002	416496-9	Handle cover		1	*		
002-1	413241-3	Handle cover	S	1			
003H1B	665883-1	Power supply cord 1.0-2-5.0		1			
003IA	665883-1	Power supply cord 1.0-2-5.0		1			
004A1B	682540-6	Cord guard 9.3-90		1			
004BA	682540-6	Cord guard 9.3-90		1			
005A	651284-9	Switch SGEL115CDY-6		1	*		
005-1A	650230-9	Switch TGL115CDT-2	O	1			
005-1B	650230-9	Switch TGL115CDT-2		1			
006	150981-9	Motor housing complete		1	*		
C10	643708-9	Brush holder 5-11		2	*		
006-1	141N38-1	Motor housing complete	S	1			
C10	643708-9	Brush holder 5-11		2			
007	266034-5	Binding head tapping screw 4X16		1			
008	416495-1	Belt cover		1			
009	222147-2	Pulley 10-24.1(L)		1			
010	643750-0	Holder cap 7-11		2			
011	191963-2	Carbon brush set		1	*		
011-1	194996-6	Carbon brush set	O	1			
012	265995-6	Binding head tapping screw 4X18		1			
013	266056-5	Binding head tapping screw 5X45		2			
014-1B	687052-4	Strain relief		1			
014CA	687063-9	Strain relief		1	*		
014C1A	687052-4	Strain relief	X	1			
015	265995-6	Binding head tapping screw 4X18		2			
016	416497-7	Dust nozzle		1			
017	213415-4	O-ring 28		1			
018	266069-6	Binding head tapping screw 4X45		2	*		
018-1	266425-0	Binding head tapping screw 4X45	O	2			
019	265995-6	Binding head tapping screw 4X18		1			
020	819064-1	Makita logo label		1			
021	266203-8	Binding head tapping screw 4X40		1			
022	317018-7	Dust collector cover		1			
023	416494-3	Separator		1			

024	911213-7	Pan head screw M5X12 WR		1		
025	241662-7	Fan 80		1		
026	265995-6	Binding head tapping screw 4X18		2		
027	317021-8	Dust collector bracket		1		
028	211088-7	Ball bearing 6000DDW		1		
029	240013-1	Fan 84		1		
030B_	516783-7	Armature assembly 220-240V		1		
030B_		INC. 28,29,32,33				
031	416498-5	Baffle plate		1		
032	681649-1	Insulation washer		1		
033	211088-7	Ball bearing 6000DDW		1		
034A	253946-1	Wave washer 18		1	*	
034-1 A	267715-4	Wave washer 20	O	1		
034-1 B	267715-4	Wave washer 20		1		
035B_	596193-4	Field assembly 220-240V		1		
C10	654020-2	Ring terminal 36L		2		
C20	654502-4	Non-insulated splice		2		
036	225081-5	Synchro belt 9-354		1		
037	931503-2	Hex. nut M10		1		
038	222148-0	Pulley 11-55.6		1		
039	266034-5	Binding head tapping screw 4X16		3		
040	317020-0	Gear cover		1		
041A	153265-4	Helical gear 43 complete		1	*	
041-1 A	153291-3	Helical gear 43 complete	S	1		
041-1 B	153291-3	Helical gear 43 complete		1		
042	150979-6	Frame complete		1		
043	265995-6	Binding head tapping screw 4X18		4		
044	150846-5	Edge slider complete		1		
045	211131-2	Ball bearing 6001DDW		1		
046	162199-0	Driving roller		1		
047	252087-0	Hex. nut M12-19		1		
048	266026-4	Binding head tapping screw 4X12		2		
049	344622-9	Safety cover		1		
050	163398-7	Tension roller arm		1		
051	233235-0	Compression spring 12		1		
052	231819-8	Tension spring 4		1		
053	321980-0	Arm support pin		1		
054	323829-0	Tension roller shaft		1		
055	253922-5	Cup washer 12		1		
056	150978-8	Tension roller complete		1		
C10	214116-7	Plane bearing 12		2		
C20	421044-1	Sponge sheet 42-47		1		
057	253922-5	Cup washer 12		1		
058	961052-5	Retaining ring (EXT) S-12		1		
059	911118-1	Pan head screw M4X12 WR		3		
060	344623-7	Strap washer		1		

061A_	421093-8	Cork rubber plate		1		
062	416499-3	Front grip		1		
063	266034-5	Binding head tapping screw 4X1 6		2		
064A	226506-2	Helical gear 12		1	*	
064-1 A	226551-7	Helical gear 12	S	1		
064-1 B	226551-7	Helical gear 12		1		
065	211066-7	Ball bearing 6200LLB		1		
066	911213-7	Pan head screw M5X12 WR		1		
067	859611-6	Name plate 9403		1	*	
067-1	852072-9	Name plate 9403	<	1		
068	231225-7	Compression spring 16		1		
069	253707-9	Flat washer 16		1		
070	251815-0	Thumb screw M6X25		1		
A01	794135-4	Abrasive belt 100x610 (5 pcs)		1		
A02	122562-9	Dust bag assembly		1		
A03B	821551-8	Connector plastic case (type 3)		1		
C10	453974-8	Latch		4		
A04B	837652-2	Inner tray		1		
A05B	800X24-8	Indication label 9403J		1		
A06B	800X25-6	Plastic case label 9403J		2		
E01	654575-7	Terminal block		1		
E02-1	645142-9	Noise suppressor		1		
E03	652257-5	Clamp washer		2		
E09	421648-9	Carbon plate		1	*	
E09-1	424057-1	Carbon plate	O	1		
F03	192349-3	Joint 25 set		0		

Please state Parts No. when your order.

Print Date 09/01/2025