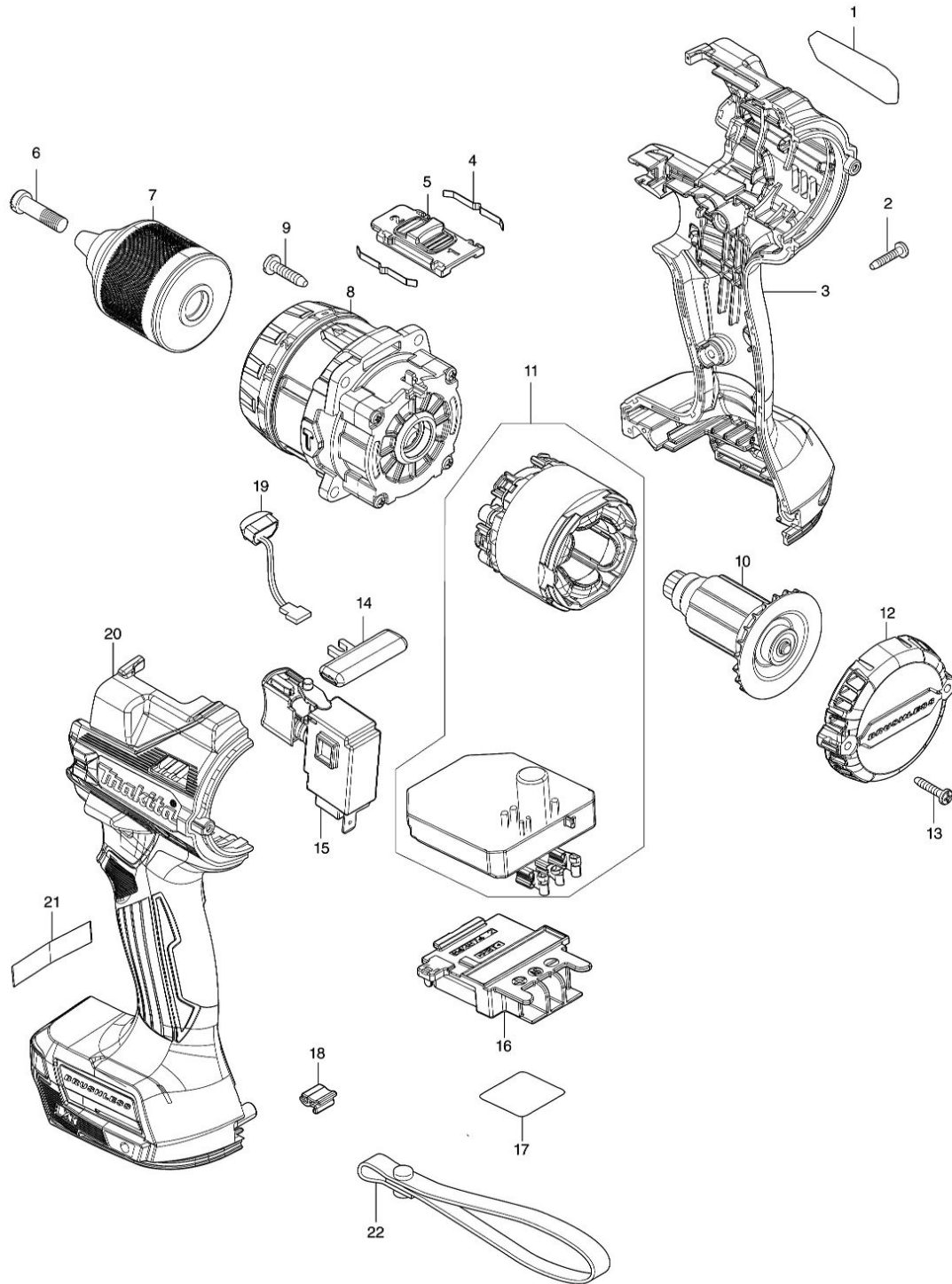


Partdrawing for DHP486Z - Klopboor-/schroefmachine



Model No.DHP486 CORDLESS HAMMER DRIVER DRILL



Nr.	Part nr.	Name
001	811B29-1	
002	266130-9	SCHROEF 3X16 P
003	183R83-4	
004	232220-0	LEAF SPRING BHP441-454
005	127494-5	
006	251468-5	SCREW M6X22 BDF441/442/452
007	763252-1	
008	122A92-6	
009	266326-2	TAPPING SCREW 4X18 HR2800/11FT
010	619656-4	
011	629A33-8	
012	413405-9	
013	266130-9	SCHROEF 3X16 P
014	419041-9	F/R CHANGE LEVER BTP130/140
015	651443-5	
016	643874-2	TERMINAL
017	811B36-4	
018	424517-3	BESCHERMING BDF459
019	620549-0	LED CIRCUIT
020	183R83-4	
003C10	263005-3	RUBBER PIN 6 HR3200C/3210FCT
003C20	252126-6	BORGMOER M4X7MM MT070
005C10	233438-6	COMPRESSION SPRING 4 BHP441
020C10	263005-3	RUBBER PIN 6 HR3200C/3210FCT
020C20	252126-6	BORGMOER M4X7MM MT070