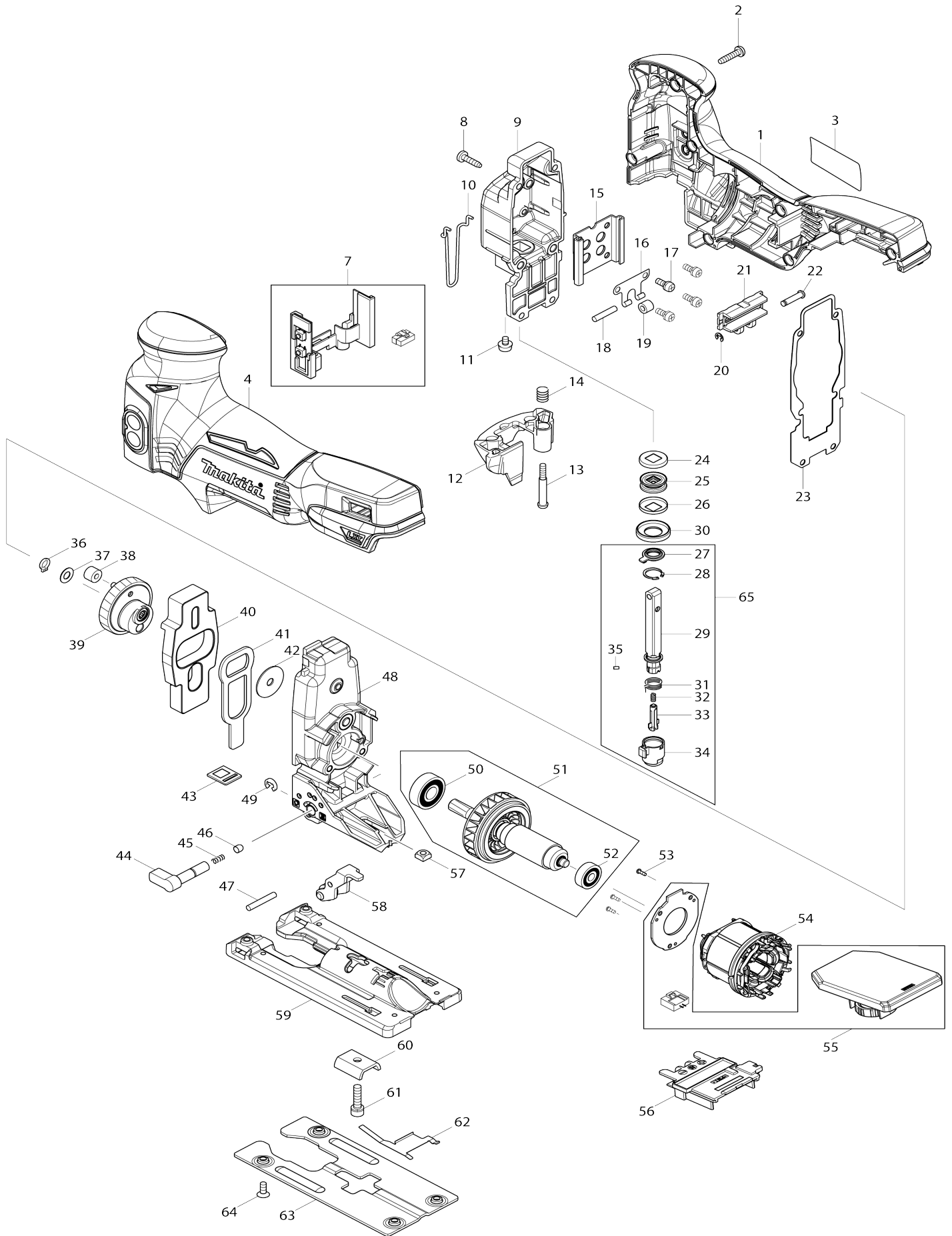


Model No.DJV181 CORDLESS JIG SAW



Model No.DJV181 CORDLESS JIG SAW

Item No.	Parts No.	Description	Interchangability	Q'ty	New/Old	Note1	Note2
001	187704-2	Housing set		1	*		
C10	263005-3	Rubber pin 6		2	*		
C20	801V48-5	Switch label		2	*		
001		INC. 4			*		
001-1	1831E8-1	Housing set	<	1			
C10	263005-3	Rubber pin 6		2			
C20	801V48-5	Switch label		2			
001-1		INC. 4					
002	265995-6	Binding head tapping screw 4X18		7			
003	814S24-2	Name plate DJV181		1			
004	187704-2	Housing set		1	*		
C10	263005-3	Rubber pin 6		2	*		
C20	801V48-5	Switch label		2	*		
004		INC. 1			*		
004-1	1831E8-1	Housing set	<	1			
C10	263005-3	Rubber pin 6		2			
C20	801V48-5	Switch label		2			
004-1		INC. 1					
007	632A96-5	Switch unit		1			
008	266034-5	Binding head tapping screw 4X16		4			
009	142112-4	Gear housing cover complete		1			
010	326302-9	Safety wire		1			
011	911104-2	Pan head screw M4X6 WG		1	*		
011-1	265132-2	Pan head screw M4X5	O	1			
012	454483-0	Tool opener		1			
013	265026-1	Pan head shoulder screw M4		1			
014	231659-4	Torsion spring 6		1			
015	346687-7	Linear guide		1			
016	232207-2	Leaf spring		1			
017	911111-5	Pan head screw M4X10 W		4			
018	256117-9	Pin 4		1			
019	214031-5	Plane bearing 4		1			
020	961017-7	Stop ring (EXT) E-3		1			
021	310548-7	Slider		1	*		
021-1	310837-0	Slider	<	1			
022	268090-1	Flat fillister HD. pin 4		1			
023	442195-7	Gasket		1			
024	267854-0	Cup washer 8		1			
025	421815-6	Dust seal 8		1			
026	267854-0	Cup washer 8		1			
027	424569-4	Dust cover		1			
028	962063-3	Retaining ring (INT) round R-13		1			
029	165724-6	Rod		1			
030	257347-5	Ring 21		1			
031	233591-8	Torsion spring 10		1			
032	233314-4	Compression spring 4		1			

033	310485-5	Lock pin		1		
034	310547-9	Blade holder		1		
035	256528-8	Pin 2		1		
036	961002-0	Retaining ring (EXT) S-6		1		
037	253715-0	Flat washer 6		1		
038	212014-9	Needle bearing 407		1	*	
038-1	212092-9	Needle bearing 407	O	1		
038-1	212092-9	Needle bearing 407		1		
039	142109-3	Gear complete		1		
040	313260-8	Balance plate		1		
041	346688-5	Push plate		1		
042	253196-8	Flat washer 6		1		
043	454484-8	Seal plate		1		
044	272244-4	Lever 17		1	*	
044-1	272280-0	Lever 17	<	1		
044-1	272280-0	Lever 17		1		
045	233139-6	Compression spring 3		1		
046	286032-3	Cap 5		1		
047	268063-4	Pin 4		1		
048	142111-6	Gear housing complete		1		
049	961018-5	Stop ring (EXT) E-5		1		
050	210059-1	Ball bearing 6000DDW		1		
051	519329-8	Rotor assembly		1	*	
051		INC. 50,52			*	
051-1	619821-5	Rotor	O	1		
051-1		INC. 50				
052	210022-4	Ball bearing 626DDW		1	*	
053	266490-9	Pan head tapping screw 2X6		3	*	
053-1	265C47-1	Pan head tapping screw 2X6	O	3	*	
053-2	266490-9	Pan head tapping screw 2X6	O	3		
054	629996-2	Stator		1		
055	620214-1	Controller		1	*	
055-1	620B23-0	Controller	<	1	*	
055-2	620B23-0	Controller	O	1		
056	643899-6	Terminal		1		
057	252171-1	Square nut M5-8		1		
058	142110-8	Retainer complete		1		
059	319016-7	Base		1		
060	345237-5	Clamp plate		1		
061	922231-0	Hex. socket head bolt M5X20 W		1		
062	232208-0	Leaf spring		1		
063	346685-1	Base plate		1		
064	265085-5	Countersunk head screw M4X8		4		
065	135602-4	Rod assembly		1		
065		INC. 27-29,31-35				
A01	126331-0	Dust nozzle assembly		1		
A02	415524-7	Kerf board		1		
A03	417852-6	Cover plate		1		
A04	A-85737	JIGSAW BLADE NO.B22		1		
A05	A-85628	JIGSAW BLADE NO.B10		1		
A06	A-85793	JIGSAW BLADE NO.BR13		1		
A07	783202-0	Hex. wrench 4		1		

A08	821551-8	Connector plastic case (type 3)		1		
C10	453974-8	Latch		4		
A09	837789-5	Inner tray		1		
A10B	801Y30-2	Plastic case label DJV181ZJ		2		
A10C	801Y32-8	Plastic case label DJV181RF1J		2		
A10D	801Y34-4	Plastic case label DJV181RFJ		2		
A10E	801Y40-9	Plastic case label DJV181RM1J		2		
A10F	801Y42-5	Plastic case label DJV181RMJ		2		
A10G	803X75-0	Plastic case label DJV181YJ		2		
A10H	804H94-3	Plastic case label DJV181RTJ		2		
A10I	805M41-7	Plastic case label DJV181RT1J		2		
A11B	801Y29-7	Indication label DJV181ZJ		1		
A11	***DC18RC	DC18RC FAST CHARGER		1		
A11G	803X74-2	Indication label DJV181Y1J		1		
A12	194204-5	Battery BL1830 set		2	*	
A12	196399-0	Battery BL1840 set		2	*	
A12G	196235-0	Battery BL1815N set		1	*	
A12	196671-0	Battery BL1850 set		1	*	
A12-1	194204-5	Battery BL1830 set	O	2	*	
A12-1	196399-0	Battery BL1840 set	O	2	*	
A12-1 G	196235-0	Battery BL1815N set	O	1		
A12-1	196671-0	Battery BL1850 set	O	1	*	
A12-2	197600-6	Battery BL1830B set	<	2	*	
A12-2	197265-4	Battery BL1840B set	<	2	*	
A12-2	197280-8	Battery BL1850B set	<	1	*	
A12-3	197600-6	Battery BL1830B set	O	2		
A12-3	197265-4	Battery BL1840B set	O	2		
A12-3	197280-8	Battery BL1850B set	O	1		
A13C	801Y31-0	Indication label DJV181RF1J		1		
A13	450128-8	Battery cover		1		
A13E	801Y39-4	Indication label DJV181RM1J		1		
A14D	801Y33-6	Indication label DJV181RFJ		1		
A14F	801Y41-7	Indication label DJV181RMJ		1		
A14H	804H93-5	Indication label DJV181RTJ		1		
A14I	805M40-9	Indication label DJV181RT1J		1		
F01	194416-0	Sheet 10000 set		1		
F02	192516-0	Guide rail set		1		
F03	192557-6	Kerf board set		1		
F04	193516-3	Guide rule set		1		
C10	165217-3	Guide rule		1		
C20	271601-3	Knob 20		1		
C30	323802-0	Guide pin		1		
C40	922207-7	Hex. socket head bolt M5X10		1		
F05-1	193517-1	Guide rail adapter set	O	1		
C11	265785-7	Thumb screw M5X10	<	1		
C20	347393-7	Rule bar		1		
C30	417894-0	Guide rail adapter		1		
F06	194367-7	Guide rail 3000 set		1		
C10	413102-7	Seat 3000		2		
C20	423360-7	Position sheet 3000		1		
C30	423362-3	Rubber sheet 3000		2		

C40	819212-2	Makita logo label		1		
F07	194368-5	Guide rail 1400 set		1		
C10	413101-9	Seat 1400		2		
C20	423359-2	Position sheet 1400		1		
C30	423361-5	Rubber sheet 1400		2		
C40	819212-2	Makita logo label		1		
F08	194925-9	Guide rail 1900 set		1		
C10	423386-9	Position sheet 1900		1		
C20	423390-8	Rubber sheet 1900		2		
C30	451330-6	Sheet 1900		2		
C40	819212-2	Makita logo label		1		
F10-2	197252-3	Guide rail adapter set	O	1	*	
F10-3	197252-3	Guide rail adapter set	O	1		
F17-3	197606-4	Battery BL1830B set (2 pcs)	O	1	*	
F18-3	197600-6	Battery BL1830B set	O	1		
F19-4	197599-5	Battery BL1830B set	O	1		
F20-3	197267-0	Battery BL1840B set	O	1		
F21-3	197265-4	Battery BL1840B set	O	1		
F22-3	197273-5	Battery BL1840B set (2 pcs)	O	1		
F23	196448-3	Battery BL1815N set		1	*	
F23-2	196235-0	Battery BL1815N set	O	1		
F24-1	196449-1	Battery BL1815N set	O	1		
F25	196450-6	Battery BL1815N set		1	*	
F25-2	196449-1	Battery BL1815N set	O	1		
F27	199140-0	Guide rail 1000 set		1		
F28	199141-8	Guide rail 1500 set		1		
F30	194417-8	Rubber sheet 10000 set		1		
F31	194418-6	Position sheet 1400 set		1		
F32	194910-2	Position sheet 1900 set		1		

Please state Parts No. when your order.

Print Date 09/01/2025