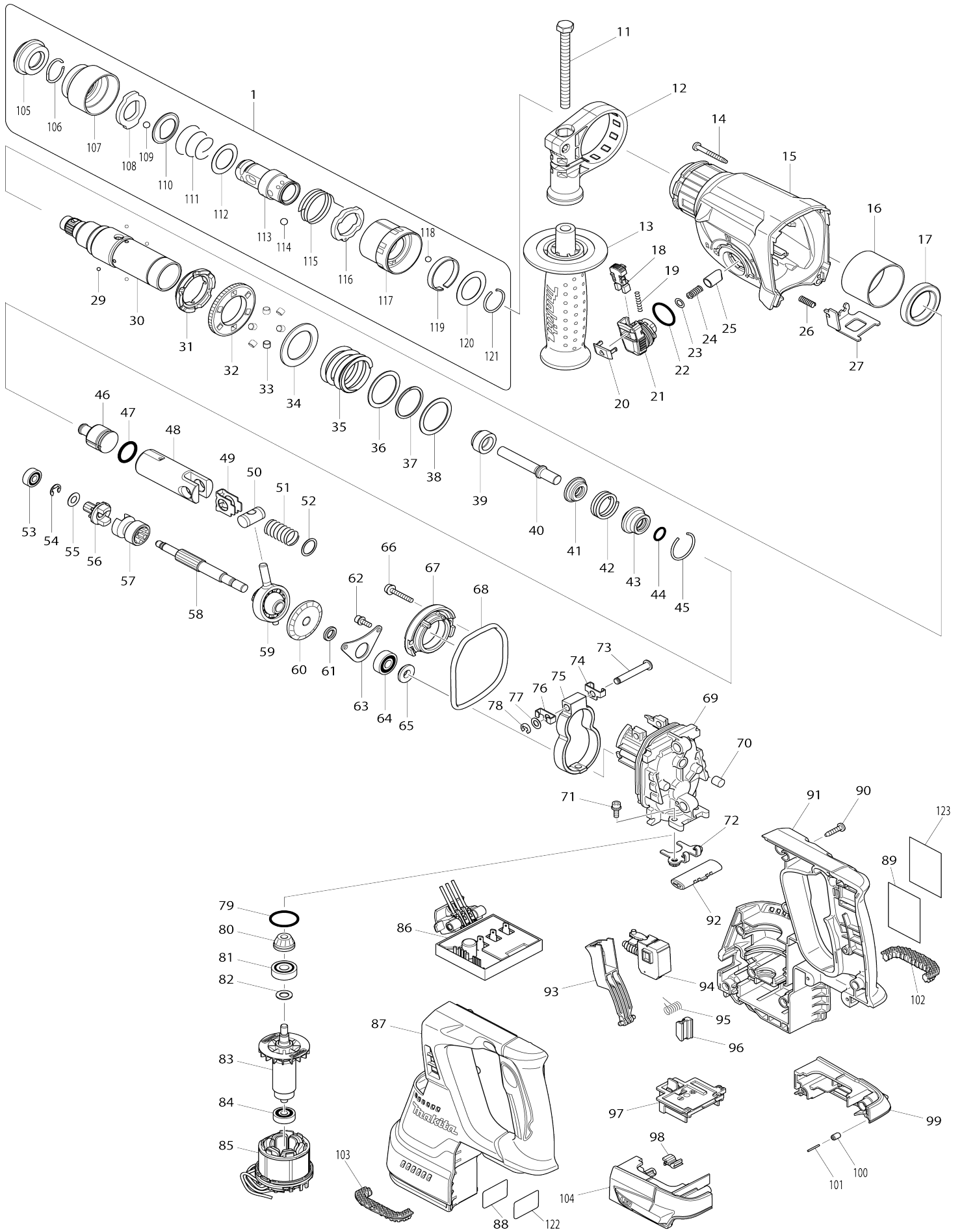


Model No.DHR243 24MM CORDLESS COMBI. HAMMER



031-1	332139-4	Driving flange	S	1		
031-1	332139-4	Driving flange		1		
032	227232-6	Spur gear 51		1	*	
032-1	227360-7	Spur gear 51	S	1		
032-1	227360-7	Spur gear 51		1		
033	268226-2	Pin 6		6	*	
034	267414-8	Flat washer 30		1	*	
035	234148-8	Compression spring 31		1		
036	267153-0	Flat washer 30		1		
037	257932-4	Spiro lock washer 30		1		
038	267153-0	Flat washer 30		1		
039	325783-4	Sleeve 9B		1		
040	325791-5	Impact bolt B		1		
041	325792-3	Washer 10		1		
042	234149-6	Compression spring 20		1		
043	325793-1	O-ring case B		1		
044	213073-6	O-ring 9		1		
045	233979-2	Ring spring 28		1		
046	326139-4	Striker		1		
047	213258-4	O-ring 17.5		1		
048	310345-1	Piston cylinder		1		
049	346036-8	Guide plate		1		
050	324215-8	Piston joint		1		
051	234098-7	Compression spring 14		1		
052	267447-3	Flat washer 14		1		
053	211012-0	Ball bearing 606ZZ		1		
054	257336-0	Stop ring (EXT) U-6		1		
055	253186-1	Flat washer 7		1		
056	227231-8	Spur gear 10		1		
057	331814-9	Clutch cam A		1	*	
057-1	326849-3	Clutch cam A	S	1		
057-1	326849-3	Clutch cam A		1		
058	326140-9	Cam shaft		1		
059	219020-5	Swash bearing 10		1	*	
059	219020-5	Swash bearing 10		1	*	
059-1	219040-9	SWASH BEARING 10	O	1		
059-1	219040-9	SWASH BEARING 10	O	1		
060	227588-7	Spiral bevel gear 32		1		
061	257323-9	Ring 8		1		
062	922118-6	Hex. socket head bolt M4X12 WR		2		
063	346038-4	Bearing retainer B		1		
064	211032-4	Ball bearing 608ZZ		1		
065	324212-4	Ring 8		1		
066	922147-9	Hex. socket head bolt M4X25		2		
067	141230-5	Inner support complete		1		
068	213767-3	O-ring 75		1		
069	318810-4	Inner housing		1		
070	443153-6	Felt		1		
071	922118-6	Hex. socket head bolt M4X12 WR		2		
072	346536-8	Bearing retainer A		1		
073	256536-9	Flat fillister HD. pin 6		1		
074	346538-4	Weight holder guide		1		

075	313224-2	Counter weight		1			
076	346538-4	Weight holder guide		1			
077	253726-5	Flat washer 6		1			
078	961018-5	Stop ring (EXT) E-5		1			
079	213008-7	O-ring 22.4		1			
080	141458-5	Spiral bevel gear 11 complete		1			
081	210024-0	Ball bearing 608 LLU		1			
082	253835-0	Flat washer 8		1			
083	619293-4	Rotor		1	*		
083-1	619737-4	Rotor	<	1			
083-1		INC. 80-82,84					
083-1 Y	619737-4	Rotor		1			
083-1 Y		INC. 80-82,84					
084	210022-4	Ball bearing 626DDW		1			
085	629922-1	Stator		1	*		
085-1	529922-0	Stator assembly	<	1	*		
085-2	529187-4	Stator assembly	S	1			
085-2	529187-4	Stator assembly		1			
086	620241-8	Controller		1	*		
086-1	620G68-8	Controller	<	1			
086-1 Y	620G68-8	Controller		1			
087	187687-6	Housing set		1	*		
087		INC. 91			*		
087-1	183A34-5	Housing set	<	1	*		
087-1		INC. 91			*		
087-1 V	183A34-5	Housing set		1	*		
087-1 V		INC. 91			*		
087-2	183C02-0	Housing set	S	1	*		
087-2		INC. 91			*		
087-2 W	183C02-0	Housing set		1	*		
087-2 W		INC. 91			*		
087-3	183C02-0	Housing set	O	1			
087-3		INC. 91					
087-3 X	183F48-4	Housing set		1			
087-3 X		INC. 91					
087-3 Y	183C02-0	Housing set		1			
087-3 Y		INC. 91					
088	815B50-2	Serial No. label DHR243		1			
089	815B44-7	Name plate DHR243		1			
090	266326-2	Binding head tapping screw 4X1 8		10	*		
090-1	266326-2	Binding head tapping screw 4X1 8	O	10			
090-1	266326-2	Binding head tapping screw 4X1 8	O	10	*		

090-1 X	266326-2	Binding head tapping screw 4X1 8		10	*		
090-2	265B67-9	Binding head tapping screw 4X1 8	O	10	*		
090-2 X	265B67-9	Binding head tapping screw 4X1 8	O	10			
090-2 Y	265B67-9	Binding head tapping screw 4X1 8		10	*		
090-3	266326-2	Binding head tapping screw 4X1 8	O	10			
091	187687-6	Housing set		1	*		
091		INC. 87			*		
091-1	183A34-5	Housing set	<	1	*		
091-1		INC. 87			*		
091-1 V	183A34-5	Housing set		1	*		
091-1 V		INC. 87			*		
091-2	183C02-0	Housing set	S	1	*		
091-2		INC. 87			*		
091-2 W	183C02-0	Housing set		1	*		
091-2 W		INC. 87			*		
091-3	183C02-0	Housing set	O	1			
091-3		INC. 87					
091-3 X	183F48-4	Housing set		1			
091-3 X		INC. 87					
091-3 Y	183C02-0	Housing set		1			
091-3 Y		INC. 87					
092	453124-5	F/R change lever		1			
093	453123-7	Switch lever		1			
094	650709-0	Switch C3JW-1A-P		1			
095	233598-4	Torsion spring 6		1			
096	313226-8	Opener		1			
097	644808-8	Terminal		1			
098	424476-1	Cushion		1			
099	187377-1	Battery housing set		1			
C10	263005-3	Rubber pin 6		2			
099		INC. 104					
099X	183X14-9	Battery housing set		1			
C10	263005-3	Rubber pin 6		2			
099X		INC. 104					
100	263036-2	Rubber pin 5		1			
101	268184-2	Pin 1.5		1			
102	424473-7	Cushion rubber		1			
103	424473-7	Cushion rubber		1			
104	187377-1	Battery housing set		1			
C10	263005-3	Rubber pin 6		2			
104		INC. 99					
104X	183X14-9	Battery housing set		1			

C10	263005-3	Rubber pin 6		2		
104X		INC. 99				
105	286263-4	Cap 35		1		
106	233940-9	Ring spring 19		1		
107	418217-5	Chuck cover		1		
108	345333-9	Stopper		1		
109	216022-2	Steel ball 7.0		1		
110	345187-4	Guide washer		1		
111	233916-6	Conical compression spring 21-29		1		
112	267279-8	Flat washer 21		1		
113	324355-2	Tool holder		1		
114	216013-3	Steel ball 6		2		
114	216013-3	Steel ball 6		2	*	
114-1	216062-0	Steel ball 6	O	2		
114-1 Y	216062-0	Steel ball 6		2		
115	231669-1	Torsion spring 31		1		
116	345334-7	Change ring		1		
117	418218-3	Change cover		1		
118	216018-3	Steel ball 5.0		1		
119	345335-5	Leaf spring		1		
120	267270-6	Flat washer 24		1		
121	233924-7	Ring spring 21		1		
122	893072-0	Clear label		1	*	
122	893072-0	Clear label		1	*	
123	890994-5	Clear label		1	*	
123	890994-5	Clear label		1	*	
124	424734-5	Sponge	S	2		
124	424734-5	Sponge		2		
A01	324219-0	Depth gauge		1		
A02	194079-2	Drill chuck set		1	*	
C10	251425-3	Slotted flat head screw M6X22		1	*	
C20	324353-6	Chuck holder		1	*	
C30	418216-7	Spacer		1	*	
A02-1	194079-2	Drill chuck set	<	1	*	
C20	324353-6	Chuck holder		1	*	
C30	418216-7	Spacer		1	*	
A02-1	194079-2	Drill chuck set		1	*	
C20	324353-6	Chuck holder		1	*	
C30	418216-7	Spacer		1	*	
A02-2	194079-2	Drill chuck set	O	1		
C20	324353-6	Chuck holder		1		
C30	418216-7	Spacer		1		
A02-2 Y	194079-2	Drill chuck set		1		
C20	324353-6	Chuck holder		1		
C30	418216-7	Spacer		1		
A03	***DC18RC	DC18RC FAST CHARGER		1		
A03	821552-6	Connector plastic case (type 4)		1		
C10	453974-8	Latch		4		
A03S	***DX02	DUST EXTRACTION SYSTEM		1		

A03S		COMPO-PARTS				
A03S		INC. A04				
A04	194204-5	Battery BL1830 set		2	*	
A04	837649-1	Inner tray		1		
A04	196399-0	Battery BL1840 set		2	*	
A04	196671-0	Battery BL1850 set		2	*	
A04S	424474-5	Sealing cap		5	*	
A04-1	194204-5	Battery BL1830 set	O	2	*	
A04-1	196399-0	Battery BL1840 set	O	2	*	
A04-1	196671-0	Battery BL1850 set	O	2	*	
A04-1 S	422784-4	Sealing cap	X	5		
A04-2	197600-6	Battery BL1830B set	<	2	*	
A04-2	197265-4	Battery BL1840B set	<	2	*	
A04-2	197280-8	Battery BL1850B set	<	2	*	
A04-2 W	197280-8	Battery BL1850B set		2	*	
A04-3	197600-6	Battery BL1830B set	O	2		
A04-3	197265-4	Battery BL1840B set	O	2		
A04-3	197280-8	Battery BL1850B set	O	2		
A04-3	197280-8	Battery BL1850B set		3		
A05	450128-8	Battery cover		2		
A05L	802M30-3	Indication label DHR243ZJ		1		
A05Q	803X40-9	Indication label DHR243YJ		1	*	
A05-1 Q	805T64-7	Indication label DHR243Y1J	<	1		
A06	141401-4	Plastic case complete		1	*	
C10	162271-8	Latch		2	*	
C20	890904-2	Operation label		1	*	
A06J	141402-2	Plastic case complete		1	*	
C10	162271-8	Latch		2	*	
C20	890904-2	Operation label		1	*	
A06	821552-6	Connector plastic case (type 4)		1		
C10	453974-8	Latch		4		
A06L	802M33-7	Plastic case label DHR243ZJ		2		
A06Q	803X41-7	Plastic case label DHR243YJ		2	*	
A06-1	141542-6	Plastic case complete	O	1		
C10	162271-8	Latch		2		
C20	890904-2	Operation label		1		
A06-1J	140H96-8	Plastic case complete	<	1		
C10	162271-8	Latch		2		
C20	890904-2	Operation label		1		
A06-1 Q	805T65-5	Plastic case label DHR243Y1J	<	2		
A07H	802M42-6	Plastic case label DHR243RFE		2	*	
A07J	802M46-8	Plastic case label DHR243RFEV		2		
A07	837649-1	Inner tray		1		
A07	837677-6	Inner tray		1	*	
A07N	802M36-1	Plastic case label DHR243RME		2	*	
A07Q	196235-0	Battery BL1815N set		1	*	
A07R	804H95-1	Plastic case label DHR243RTE		2	*	
A07W	835A31-4	Inner tray		1		
A07-1	802M41-8	Plastic case label DHR243RFE	<	2		

H							
A07-1	835A31-4	Inner tray	S	1			
A07-1 N	802M35-3	Plastic case label DHR243RME	<	2			
A07-1 Q	196235-0	Battery BL1815N set	O	1			
A07-1 R	805W76-8	Plastic case label DHR243RTE	<	2			
A08J	***DX02	DUST EXTRACTION SYSTEM		1			
A08J		COMPO-PARTS					
A08J		INC. A09					
A08K	802M29-8	Indication label DHR243RFJ		1			
A08M	802M31-1	Indication label DHR243RFJV		1			
A08O	802M47-6	Indication label DHR243RMJ		1			
A08P	802M50-7	Indication label DHR243RMJV		1			
A08T	805R30-2	Indication label DHR243RTJ		1			
A08U	805R32-8	Indication label DHR243RTJV		1			
A08V	806H81-8	Indication label DHR243ZJV		1			
A08W	818X90-1	Indication label DHR243RTJW		1			
A08X	8063J5-4	Indication label DHR243RTJB		1			
A09J	424474-5	Sealing cap		5	*		
A09K	802M32-9	Plastic case label DHR243RFJ		2			
A09M	802M34-5	Plastic case label DHR243RFJV		2			
A09O	802M48-4	Plastic case label DHR243RMJ		2			
A09P	802M51-5	Plastic case label DHR243RMJV		2			
A09T	805R31-0	Plastic case label DHR243RTJ		2	*		
A09U	805R33-6	Plastic case label DHR243RTJV		2			
A09V	806H82-6	Plastic case label DHR243ZJV		2	*		
A09W	818X91-9	Plastic case label DHR243RTJW		2	*		
A09X	8063J6-2	Plastic case label DHR243RTJB		2	*		
A09-1J	422784-4	Sealing cap	X	5			
A09-1 V	817W66-9	Plastic case label DHR243ZJV	O	2			
A10	***DX02	DUST EXTRACTION SYSTEM		1			
A10		COMPO-PARTS					
A10		INC. A11					
A10W	***DX07	DUST EXTRACTION SYSTEM		1			
A10W		COMPO-PARTS					
A10W		INC. A11					
A11	424474-5	Sealing cap		5	*		
A11-1	422784-4	Sealing cap	X	5			
A12	198993-4	Grease vessel set		1			
A13	837349-3	Sponge 50-50	S	1			
B01	195834-5	Hammer service kit		1			
C10	195127-0	Oil vessel set		2			
B01		INC. 44,45,47,105,109					
B01	195834-5	Hammer service kit		1			
C10	195127-0	Oil vessel set		2			
B01		INC. 44,45,47,105,109					
F03	194254-0	Keyless drill chuck set		1			
F37-3	197606-4	Battery BL1830B set (2 pcs)	O	1	*		
F41	195902-4	Dust collection system set		1			
F48-1	199977-5	Dust case set	O	1			

F48-1 Y	199977-5	Dust case set		1		
F50-1	199557-7	Filter set	O	1		
F50-1 Y	199557-7	Filter set		1		
F52-3	197267-0	Battery BL1840B set	O	1		
F52-3 Y	197267-0	Battery BL1840B set		1		
F53-3	197265-4	Battery BL1840B set	O	1		
F53-3 Y	197265-4	Battery BL1840B set		1		
F54-3	197273-5	Battery BL1840B set (2 pcs)	O	1		
F54-3 Y	197273-5	Battery BL1840B set (2 pcs)		1		
F56	196448-3	Battery BL1815N set		1	*	
F56-2	196235-0	Battery BL1815N set	O	1		
F56-2 Y	196235-0	Battery BL1815N set		1		
F57-1	196449-1	Battery BL1815N set	O	1		
F57-1 Y	196449-1	Battery BL1815N set		1		
F58	196450-6	Battery BL1815N set		1	*	
F58-2	196449-1	Battery BL1815N set	O	1		
F58-2 Y	196449-1	Battery BL1815N set		1		
F63	199570-5	Dust collection system set DX07		1		
F63Y	199570-5	Dust collection system set DX07		1		
G12	1914X3-8	Dust extraction pad set		1		
G12Y	1914X3-8	Dust extraction pad set		1		

Please state Parts No. when your order.

Print Date 10/27/2025